

Statewide Pre-marking Guidelines *for Excavators*



The JULIE Board of Directors has approved the following Statewide Pre-marking Guidelines to be used by excavators.

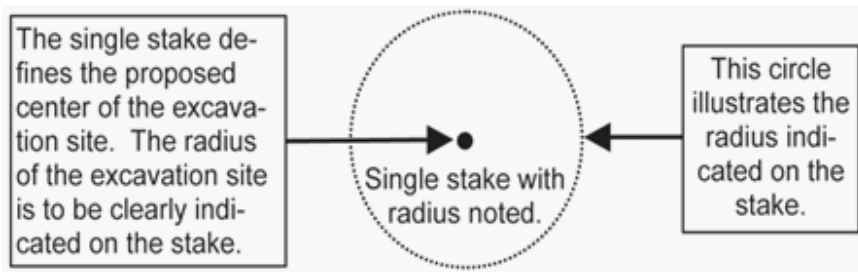
The use of white marking products (e.g., paint, flags, stakes, whiskers or a combination of these) may be used to identify the excavation site. Black paint may be used when snow is on the ground.

- All pre-marks should be placed prior to contacting JULIE.
- Width of each mark should be approximately 2".
- Length of each mark should be approximately 6" - 12".
- Distance between marks depends on site conditions, but no greater than 20'.
- Company identification painted at reasonable intervals to allow for quick identification.
- Default radius of stake is 10' default path width is 20'.
- Areas delineated in white not involving a linear or single point excavation are not to exceed pre-marked area.

PRE-MARKING SAMPLES

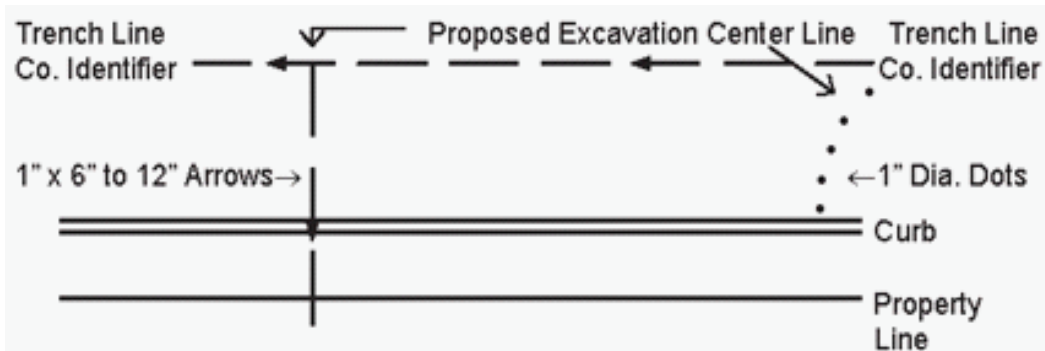
SINGLE STAKE PRE-MARKINGS CENTER POINT OF EXCAVATION SITE

When an excavation site is contained within a 50' radius, or less, it can be delineated with a single stake that is positioned at the proposed center of the excavation. If the excavator chooses this type of delineation they must convey that they have delineated the excavation site with a single stake at the center of the excavation and include the radius of the site in the notification to JULIE. This single stake is to be white in color with the following information: excavator's company identifier (name, abbreviations, or initials) and the radius of the excavation site in black letters on the stake or with a notice attached to the stake.



TRENCHING, BORING OR OTHER CONTINUOUS TYPE EXCAVATIONS

Pre-mark in white paint the proposed centerline of planned excavation using 6" to 12" x 2" arrows, approximately 4' to 20' apart to show direction of excavation. The maximum separation of excavation pre-marks is to be reduced to a length that can be reasonably seen by the facility owner's locators when the terrain at an excavation site warrants it. Pre-mark lateral excavations with occasional arrows showing excavation direction from centerline with pre-marks at curb or property line if crossed.



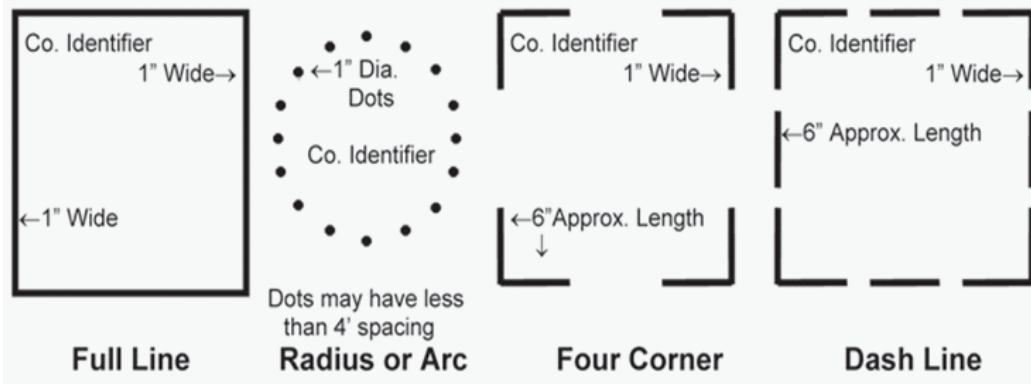
The use of white marking products (e.g., paint, flags, stakes, whisksers or a combination of these) may be used to identify the excavation site. Black paint may be used when snow is on the ground.

- All pre-marks should be placed prior to contacting JULIE.
- Width of each mark should be approximately 2".
- Length of each mark should be approximately 6" - 12".
- Distance between marks depends on site conditions, but no greater than 20'.
- Company identification painted at reasonable intervals to allow for quick identification.
- Default radius of stake is 10' default path width is 20'.
- Areas delineated in white not involving a linear or single point excavation are not to exceed pre-marked area.

PRE-MARKING SAMPLES

NON-LINEAR EXCAVATION PRE-MARKINGS

Delineate in white paint the proposed area of excavation through the use of: a continuous line, dashes marking the four corners of the project or dashes outlining the excavation project. Limit the size of each dash to approximately 6" to 12" in length and 2" in width with interval spacing approximately 4' to 20' apart. The maximum separation of excavation pre-marks is to be reduced to a length that can be reasonably seen by the facility owner's locators when the terrain or excavation site conditions warrant it.



NON-LINEAR STAKE, FLAG OR WHISKER EXCAVATION PRE-MARKERS

Delineate the proposed area of excavation through the use of: stakes, flags or whisksers to pre-mark radius or arcs, the four corners of the project or outlining the excavation project instead of using spray paint. Limit the interval spacing to approximately 4' to 20'. The maximum separation of excavation pre-marks is to be reduced to a length that can be reasonably seen by the facility owner's locators when the terrain at an excavation site warrants it. Stakes, flags or whisksers provided to illustrate arcs or radii may be placed at closer intervals in order to define the arc or radius. Stakes, flags or whisksers are white in color with the excavator's company identifier (name, abbreviations, or initials) provided on the stake, flag or whisker.

